

HEAT & GLO[®]



DESIGNED | *to inspire*

TRUE

Direct Vent Gas Fireplace

TRUE

A New Wave of Traditional

The TRUE is an innovative blend of technology, design and safety. This combination creates the most authentic masonry appearance available in a Direct Vent platform. A clean face and flush hearth design in TRUE 50, 42 and 36-inch sizing offers the largest viewing area in each class for an ultimate fireside experience.



Cover: TRUE-36 shown with stratford refractory, firescreen front in new bronze and custom surround.
Above: TRUE-42 shown with herringbone refractory and forge front.



TECHNOLOGY

High-definition logs and LED accent lighting add intricate detail. Anti-reflective glass unveils bold, robust flames so real, your guests may just try to add another log to the fire.



DESIGN

A clean finish and detailed brick interiors create a TRUE masonry look. And, all you see is fire—tall, prominent openings and TRUE sizing deliver maximum impact.

TRUE-50 shown above with herringbone refractory, firescreen front in black and custom surround.



SAFETY

The TRUE utilizes Direct Vent technology to remove 100% of combustion exhaust outside the home and ensure optimal indoor air quality. The IntelliFire™ Plus Ignition System ensures sound ignition, and standard safety screens provide added protection.

TRUE-42 shown left with castlewood refractory and forge arch front

INNOVATION

The heart of the TRUE

The TRUE is the latest from the industry's most award-winning brand. Focused and concentrated efforts have driven advancements in technology, design and safety. The results? The best fire, cleanest look and largest view available. It's an attractive, powerful experience—a TRUE innovation in traditional.



TRUE-50 shown with herringbone refractory, firescreen front in black and custom surround.

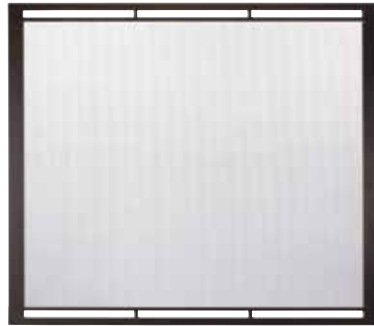


FEATURES

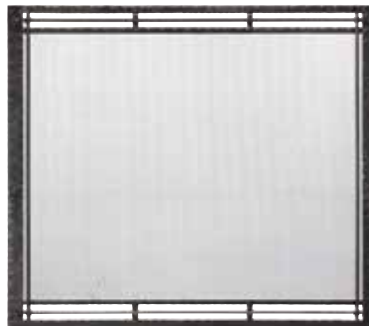
- All you see is fire; 50, 42 and 36-inch viewing areas
- 45,000 - 65,000 BTU/hr input
- LED accent lighting and illuminated embers
- Anti-reflective glass provides 89% glare reduction
- High-efficiency, AFUE-rated performance
- IntelliFire™ Plus Ignition System
- Multiple front and refractory options

FRONT OPTIONS

Choose a front design to accent your décor, and breathe life into your favorite space.



Firescreen



Forge



Firescreen Arch



Forge Arch

FRONT FINISHES



Black



New Bronze



Graphite

REFRACTORY OPTIONS

Three detailed brick interior options help you create your TRUE look.



Stratford



Herringbone



Castlewood

CONTROLS

Quickly and easily control the fire, heat output and LED accent lighting of the TRUE with intuitive technology.



INTELLIFIRE PLUS RC300 The RC300 comes standard with the TRUE and incorporates an LCD screen, intuitive menus and large control buttons. This wireless control offers flexibility to either mount on the wall or use as a remote.

Model: RC300-HNG

Features: Auto Battery Backup, Pilot Activation, On/Off, 5 Step Flame Height, Fan Speed (Auxiliary 1), Two Additional Auxiliary Functions, Room Temperature Readout, Thermostat Mode, Timer Mode, Child Lock, Wall Docking Station

INTELLIFIRE PLUS IGNITION SYSTEM



The IntelliFire™ Plus Ignition System (IPI Plus) is an advanced intermittent pilot ignition system with memory settings and a programmable wireless control. IPI Plus constantly monitors ignition, ensures safe functioning and conserves up to \$10/month in energy costs.

To learn more about IntelliFire Technology visit heatnglo.com.

DIRECT VENT TECHNOLOGY

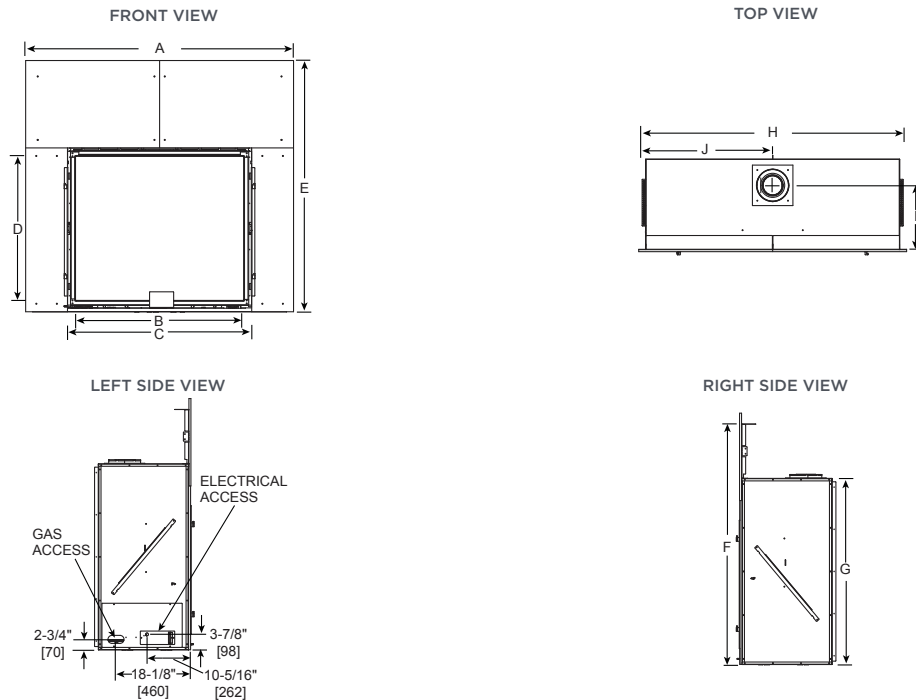
Direct Vent fireplaces remove 100% of combustion exhaust and odors outside of the home. These sealed fireplaces provide optimal heat, conserve energy and ensure clean, safe indoor air quality.

To learn more about Direct Vent Technology visit heatnglo.com.



TRUE SPECIFICATIONS

MODEL	FRONT WIDTH		BACK WIDTH		HEIGHT		DEPTH		GLASS SIZE	BTU/HOUR INPUT (NG)
	UNIT	FRAMING	UNIT	FRAMING	UNIT	FRAMING	UNIT	FRAMING		
TRUE-36	61 [1549]	59-1/2 [1511]	59-1/4 [1505]	59-1/2 [1511]	57-5/8 [1464]	56 [1422]	24 [610]	24 [610]	35-7/8 x 31-1/16 [911 x 789]	28,000 - 45,000
TRUE-42	67 [1702]	65-9/16 [1665]	65-5/16 [1659]	65-9/16 [1665]	62-5/8 [1591]	61 [1549]	24 [610]	24 [610]	41-7/8 x 36-1/16 [1064 x 916]	30,000 - 55,000
TRUE-50	75 [1905]	73-5/8 [1870]	73-5/16 [1862]	73-5/8 [1870]	66-5/8 [1692]	65 [1651]	24 [610]	24 [610]	49-7/8 x 40-1/16 [1267 x 1018]	37,000 - 65,000



Model	A	B	C	D	E	F	G	H	I	J
TRUE-36	61" [1549]	35-7/8" [911]	39-7/8" [1013]	31-1/16" [789]	57-5/8" [1464]	54-15/16" [1395]	41-3/8" [1042]	59-1/4" [1505]	16" [406]	29-5/8" [752]
TRUE-42	67" [1702]	41-7/8" [1064]	45-7/8" [1165]	36-1/16" [916]	62-5/8" [1591]	59-15/16" [1522]	46-3/8" [1178]	65-5/16" [1659]	16" [406]	32-11/16" [830]
TRUE-50	75" [1905]	49-7/8" [1267]	53-7/8" [1368]	40-1/16" [1018]	66-5/8" [1692]	63-15/16" [1624]	50-3/8" [1280]	73-5/16" [1862]	16" [406]	36-11/16" [932]

*Front dimensions include non-combustible material which overlaps framing

Dimensions are in inches and millimeters. Product information is not complete and is subject to change without notice. Product installation must adhere strictly to instructions shipped with product. We recommend measuring individual units at installation. Assumes the use of 1/2" sheetrock. NOTE: Combustible material should not cover the face. Make sure you do NOT cover the decorative door opening.

Refer to installation manual for detailed specifications on installing this product. Heat & Glo® reserves the right to update units periodically. The flame and ember appearance may vary based on the type of fuel burned and the venting configuration used. Actual product appearance, including flame, may differ from product images.

U.S. EFFICIENCIES

Steady State - Since most homeowners use their fireplaces for an extended time while they are in the room, Steady State measures how efficiently your fireplace converts fuel to heat once it is warmed up and running in a "steady state".

AFUE - AFUE rating is more typically used with appliances, like your furnace, that continually cycle on and off to maintain a constant temperature.

RATING	TRUE-36	TRUE-42	TRUE-50
STEADY STATE	76.2% (NG), 76.2% (LP)	77.2% (NG), 77.2% (LP)	68.9% (NG), 67.3% (LP)
AFUE	51.9% (NG), 55.3% (LP)	67.0% (NG), 67.6% (LP)	66.8% (NG), 65.2% (LP)

CANADA EFFICIENCIES

EnerGuide (CSA P.4.1-02) - EnerGuide is a rating used in Canada to measure annual fireplace efficiency.




RATING	TRUE-36	TRUE-42	TRUE-50
ENERGUIDE (CSA P.4.1-02)	57.6% (NG), 57.1% (LP)	67.0% (NG), 68.4% (LP)	69.1% (NG), 66.5% (LP)

For complete information on this model,
please contact us at:

HEAT & GLO

No one builds a better fire

Web: heatnglo.com
Phone: (888) 427-3973 (952) 985-6000
E-mail: info@heatnglo.com

 facebook.com/HeatandGlo
 twitter.com/HeatandGlo
 youtube.com/HeatandGlo

HNG-1119U-0914

LIMITED LIFETIME WARRANTY*

The strongest in the industry, Heat & Glo® provides a limited lifetime warranty on the most important aspects: firebox and heat exchanger.

*For full warranty details, go to www.heatnglo.com.
Fireplace glass and other surfaces get extremely HOT and can cause severe burns if touched. Do not remove the protective safety screen from the front of the glass. Keep a safe distance away. To learn more visit www.heatnglo.com/fireplacesafety

